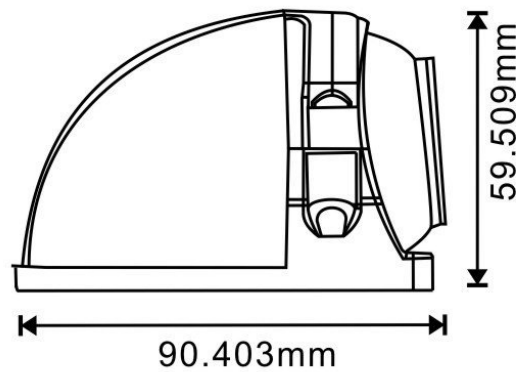
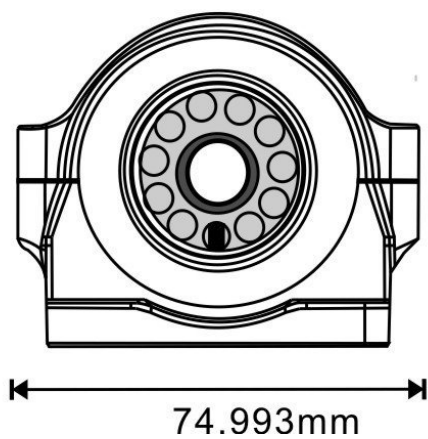


Side-view IP camera

TECHNICAL DETAILS



Product overview

This 1080P digital IP camera is optimal for installation as a side-view camera offering a viewing angle of 130° and a night vision distance of approximately 10 meters supported by build-in infrared LEDs.

This robust camera complies to ISO 16750-3 and has a IP69K external protection.

As the camera supports Power over Ethernet (PoE) the installation is very simple and fixable.

Side-view IP camera

FEATURE	DESCRIPTION
Image sensor	1/2.8" CMOS, 2 megapixel
Maximum pixels (h x v)	1920 x 1080
Electronic Shutter	1/50 ~ 1/100,000 s
Video Streams	Main: HD 1920 x 1080P
Frame Rate	1 to 25 frames per second (fps)
Lens	2.8 mm (optional 3.6/6/8 mm)
Power	Power over Ethernet (PoE), IEEE 802.3af, Class 3
Operating Temperature	-20 °C to 60 °C
Heating	Yes
Connector	RJ45
Weight	Approximately 400 g
Approvals	CE, E-mark: E24*10R05/01*2753*00
Order/Product code	PTS-CAM-IP-SIDE-001
Revision	B